

MICREX-SX Series SPH

Announcement of Ethernet Communication Feature

Expansion for SPH5000M

Thank you for using our Fuji programmable controllers.

We hereby announce that we have implemented a version up of software expanding Ethernet communication feature for CPU module SPH5000M in MICREX-SX Series SPH.

1. Details of the Change

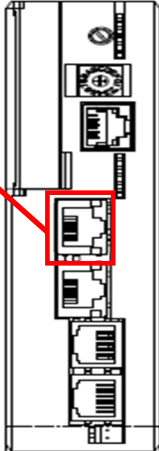
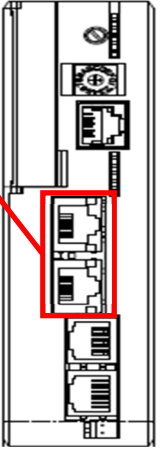
(1) Target Product : MICREX-SX Series SPH CPU Module SPH5000M

| Product | Model | | Overview of Specification |
|-------------------------|-------------|-----------|---|
| CPU modules SPH5000M | NP1PA1-096E | 96K step | <ul style="list-style-type: none"> • Sequence instruction : 4ns~ • Applied instruction : 0.9ns~ • No. of I/O points SX bus : Max. 8,192 points E-SX bus : Max. 65,536 points • USB2.0 (Loader connector) • User ROM card (SD card) |
| | NP1PA1-128E | 128K step | |
| | NP1PA1-256E | 256K step | |
| | NP1PA1-512E | 512K step | |

(2) Contents of the Change

The following features have been improved with this software update.

- ① Increased no. of CPU built-in Ethernet port.
- ② Increased no. of connections that are available on applications.
- ③ Added a new FB (Dedicated communication FB for CPU built-in Ethernet port) which allows to change communication parameters by application program.

| Before the Change (Software Version V01) | After the Change (Software Version V02) |
|---|--|
| <p>① No. of Ethernet ports available : 1 (NET0)</p> <p>② ③ No. of connections available on applications : 12 (General Communication FB)</p>  | <p>① No. of Ethernet ports available : 2 (NET0/NET1)</p> <p>② ③ No. of connections available on applications : 12 (General Communication FB) and 64 (New Communication FB)</p>  |

※ Please use SX-Programmer Expert (D300win) V3.7.5 or later version. (SX-programmer Standard does not support these feature.)

※ Please see next page for details of new communication FB.

2. Details of New Communication FB

The following six FBs have been added. These FBs are applicable for CPU built-in Ethernet ports NET0/NET1. These FBs are easy to use, and communication parameter change is possible by application program.

| FB | FB type | Purpose |
|------------------|---|--|
| ETH_SEND | Data send | Send data to specific target according to Eth channel information. |
| ETH_RECEIVE | Data receive | Receive data according to Eth channel information. |
| ETH_SET_CHPARAMS | Setting of Eth channel management information | Set parameter to specified channel. |
| ETH_GET_CHPARAMS | Reading of Eth channel management information | Read Eth channel management information. |
| ETH_RELEASE_CH | Release of Eth channel | Delete (release) specified channel. |
| ETH_CTRL_CONN | Control of Connection | Connection control (Open/Close) |

※ These FBs are available to software version V02 or later version.

3. Notes on the Change

- (1) The change will be started with products that are manufactured in November 2025, and it will be automatically switched after using up the stock.
- (2) There is no change in price and standards from existing products.